

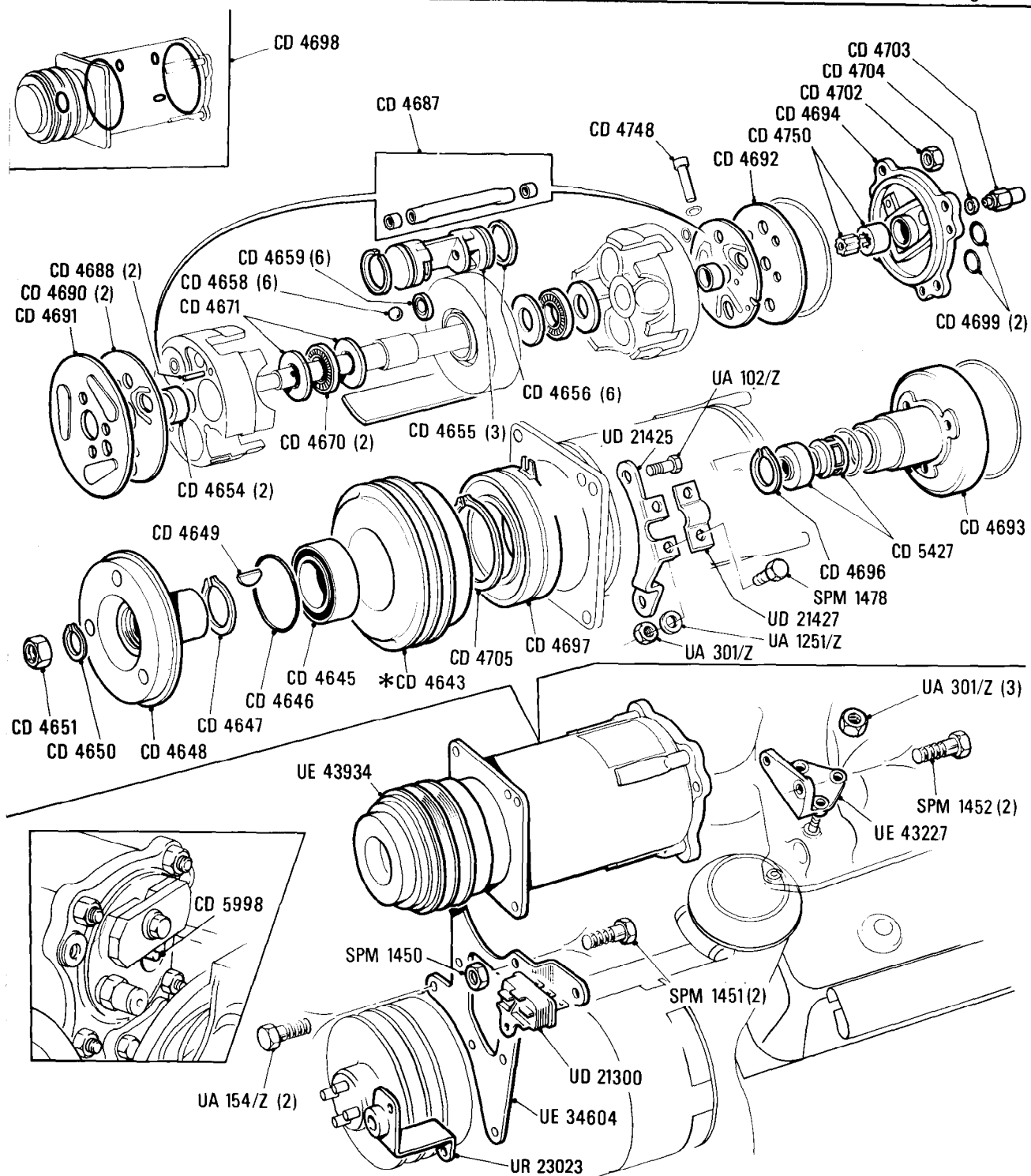
C2·001·03Rolls-Royce
Silver Spirit
Silver SpurBentley
Mulsanne
Eight
Turbo R**Automatic Air Conditioning System
Compressor and Mountings and Thermal Fuse**

Car serial number

Silver Spirit & Bentley Mulsanne
SCAZS0000ACH01001 to 16930**Silver Spur**
SCAZN0000ACH01006 to 16970**Bentley Eight**
SCBZS8004ECH08862 to 16954**Mulsanne Turbo**
SCBZS0T05CCH04233 to 14162**Turbo 'R'**
SCBZS0T0CFCH12834 to 16570

Parts marked thus * refer to Additional Information below

◀ Left-hand ▶ Right-hand

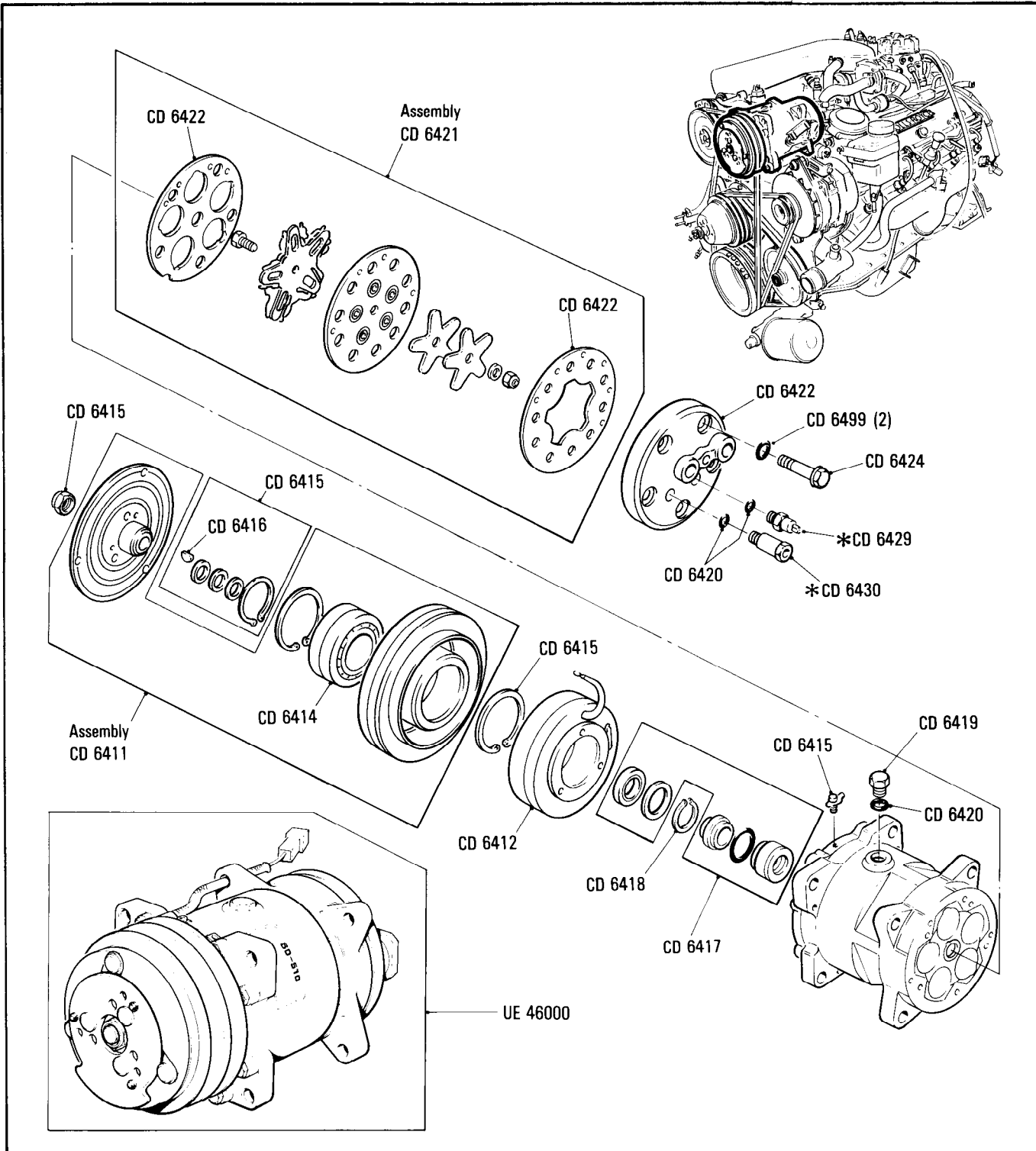
**Additional Information**

© Rolls-Royce Motors Limited 1984

*CD 4643 Pulley and bearing assembly

C2-002-02Rolls-Royce
Silver Spirit
Silver Spur
Silver Spur
LimousineBentley
Mulsanne
Turbo R
Eight**Automatic Air Conditioning System
Compressor****Car serial number****Silver Spirit & Bentley Mulsanne S**
SCAZS0002HGH20003 to 27798**Silver Spur**
SCAZN0009HCH20004 to 27780**Bentley Eight**
SCBZS8009HCX20006 to 27799**Bentley Turbo R**
SCBZS0T03HCX20001 to 27793**Parts marked thus * refer to Additional Information below**

◀ Left-hand ▶ Right-hand

**Additional Information**

- * CD 6413 Clutch assy complete
- * CD 6423 Cylinder head with gasket
- * CD 6429 Low pressure cut-out switch
- * CD 6430 High pressure relief valve

© Rolls-Royce Motors Limited 1986

C2-003-01

Rolls-Royce
Silver Spirit
Silver Spur
Silver Spur
Limousine

Bentley
Mulsanne S
Turbo R
Eight

Automatic Air Conditioning System Compressor Mounting

Car serial number

Silver Spirit & Bentley Mulsanne S
SCAZS0002HCH20003 to 27798

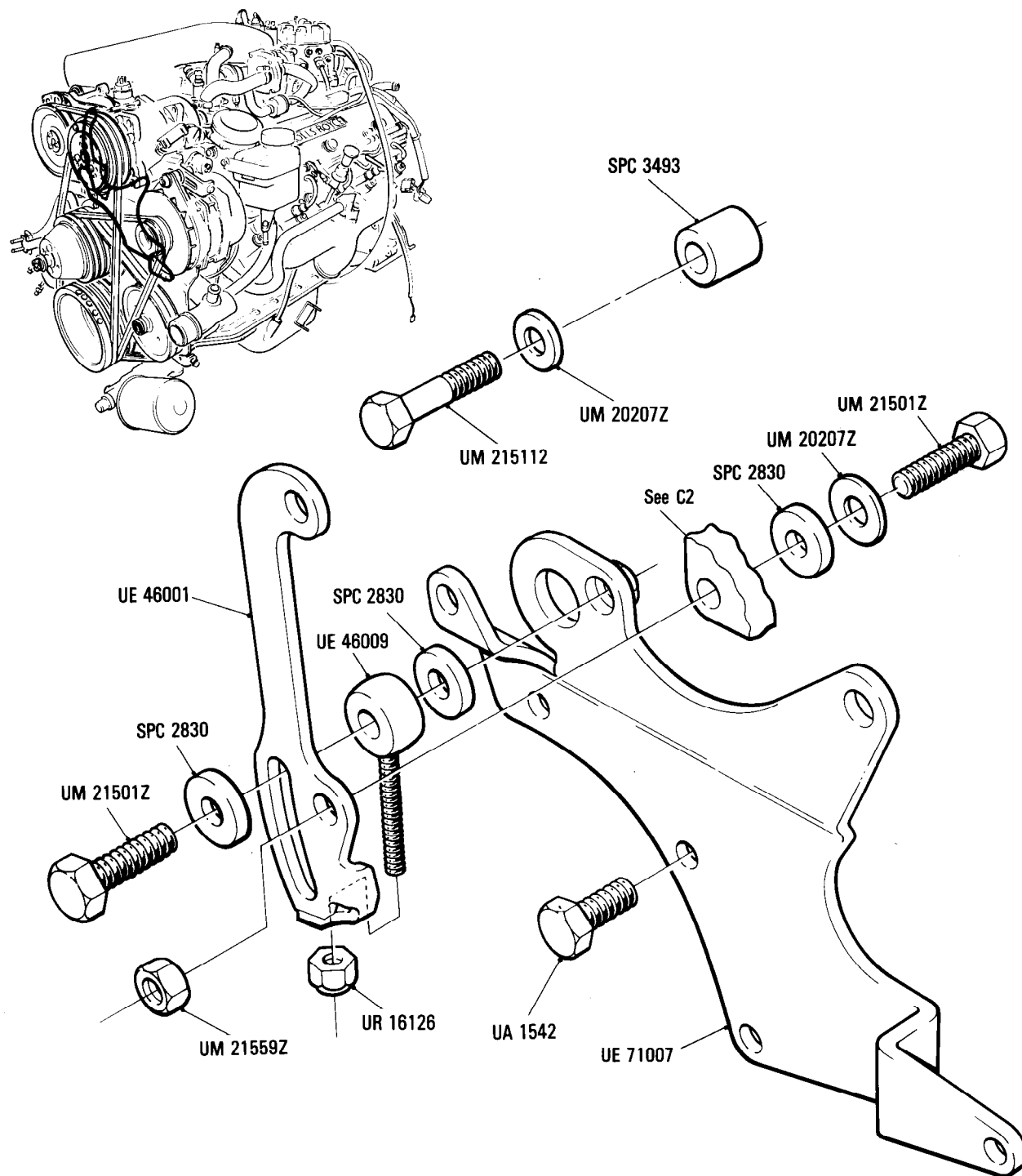
Silver Spur
SCAZN42A5HCX20004 to 27780

Bentley Eight
SCBZS8009HCX20006 to 27799

Turbo R
SCBZS0T03HCX20001 to 29290

Parts marked thus * refer to Additional Information below

◀ Left-hand ▶ Right-hand



Additional Information

© Rolls-Royce Motor Cars Limited 1987

C2-020-02

Rolls-Royce

Bentley
Mulsanne Turbo
Turbo R

Air Conditioning System Compressor Mounting

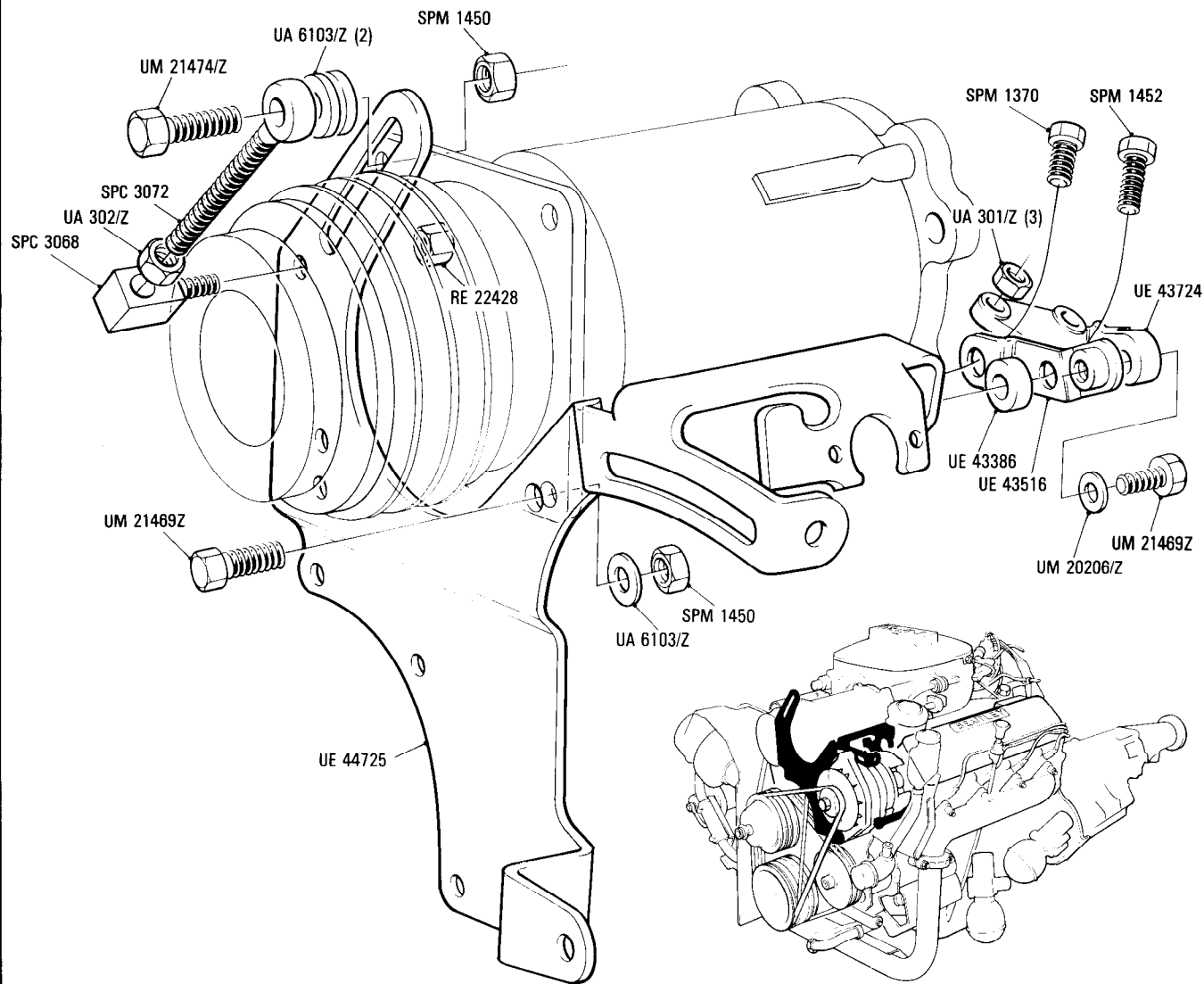
Car serial number

Mulsanne Turbo
SCBZS0T00CCH04233 to 14162

Turbo 'R'
SCBZS0TOXFCH12834 to 16570

Parts marked thus * refer to Additional Information below

◀ Left-hand ▶ Right-hand



Additional Information

© Rolls-Royce Motors Limited 1984