

T8-001-04Rolls-Royce
Silver Spirit
Silver SpurBentley
Mulsanne
Eight**Transmission**

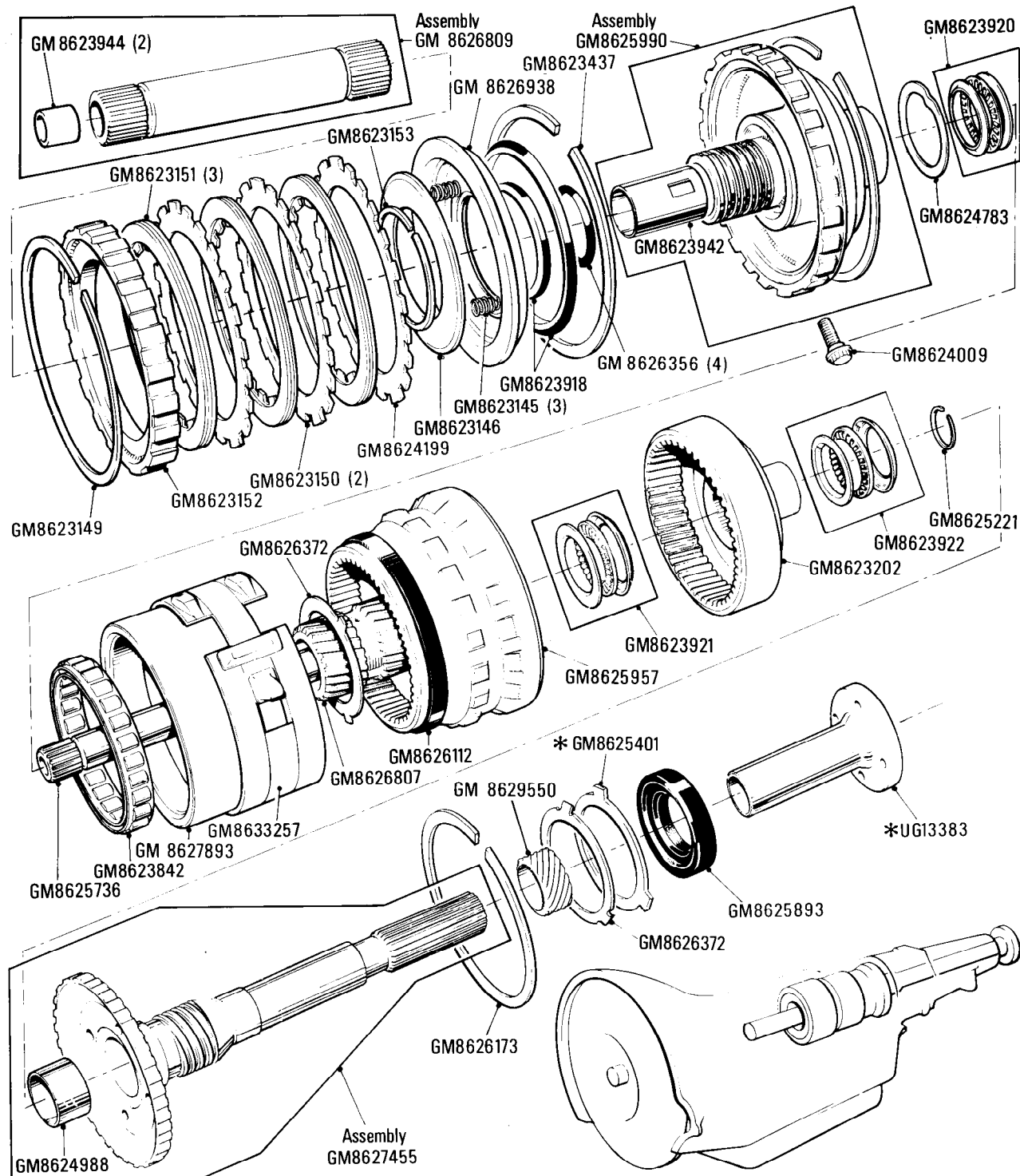
Output Carrier, Reaction Carrier, Centre Support and Intermediate Clutch

Car serial number

Silver Spirit & Bentley Mulsanne
SCAZS0000ACH01001 to 16930Silver Spur
SCAZN0000ACH01006 to 16970Bentley Eight
SCBZS8004ECH08862 to 16954

Parts marked thus * refer to Additional Information below

◀ Left-hand ▶ Right-hand

**Additional Information**

© Rolls-Royce Motors Limited 1984

- * GM 8625401
 - GM 8625402
 - GM 8625403
 - GM 8625404
 - GM 8625405
 - GM 8625406
- Use selectively for .007 in. to .019 in. end play

- * GM 8623979 Kit - Snap Rings (Also applies to parts on page T7/001/00)
- GM 8625913 Kit - Pinion Replacement

- * UG 13383(4 hole securing)
 - UG 14929(3 hole securing)
- See section F for application

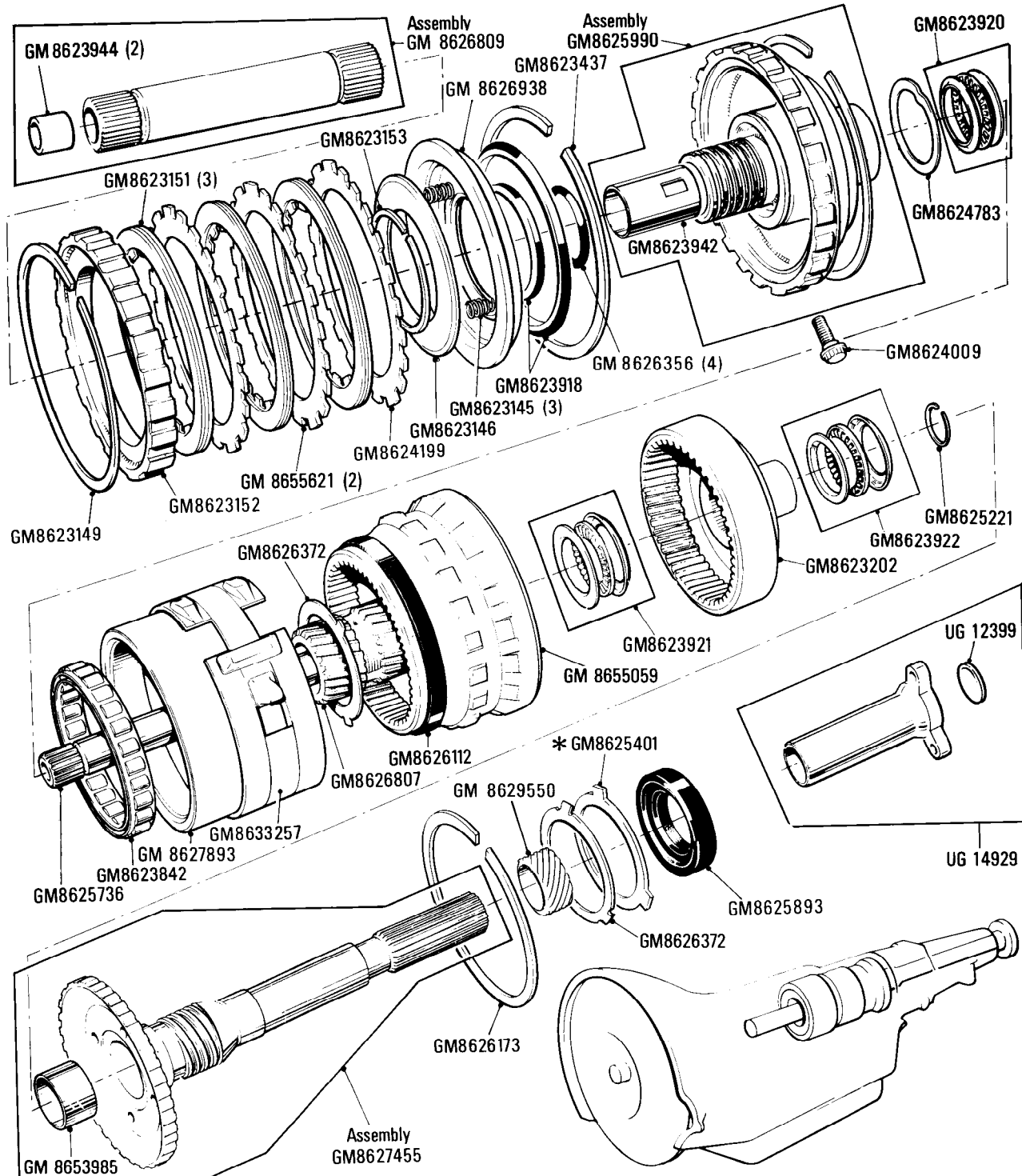
T8·002·01Rolls-Royce
Silver Spirit
Silver Spur
Silver Spur
LimousineBentley
Mulsanne
Eight**Transmission**

Output Carrier, Reaction Carrier, Centre Support & Intermediate Clutch

Car serial numberSilver Spirit
SCAZS0002HCH20003 to 21989Silver Spur
SCAZN0009HCX20004 to 22053Bentley Eight
SCBZS8009HCX20006 to 22005Bentley Mulsanne
SCBZS0000HCH20013 to 21999

Parts marked thus * refer to Additional Information below

◀Left-hand ▶Right-hand

**Additional Information**

* GM 8625401
 GM 8625402
 GM 8625403
 GM 8625404
 GM 8625405
 GM 8625406

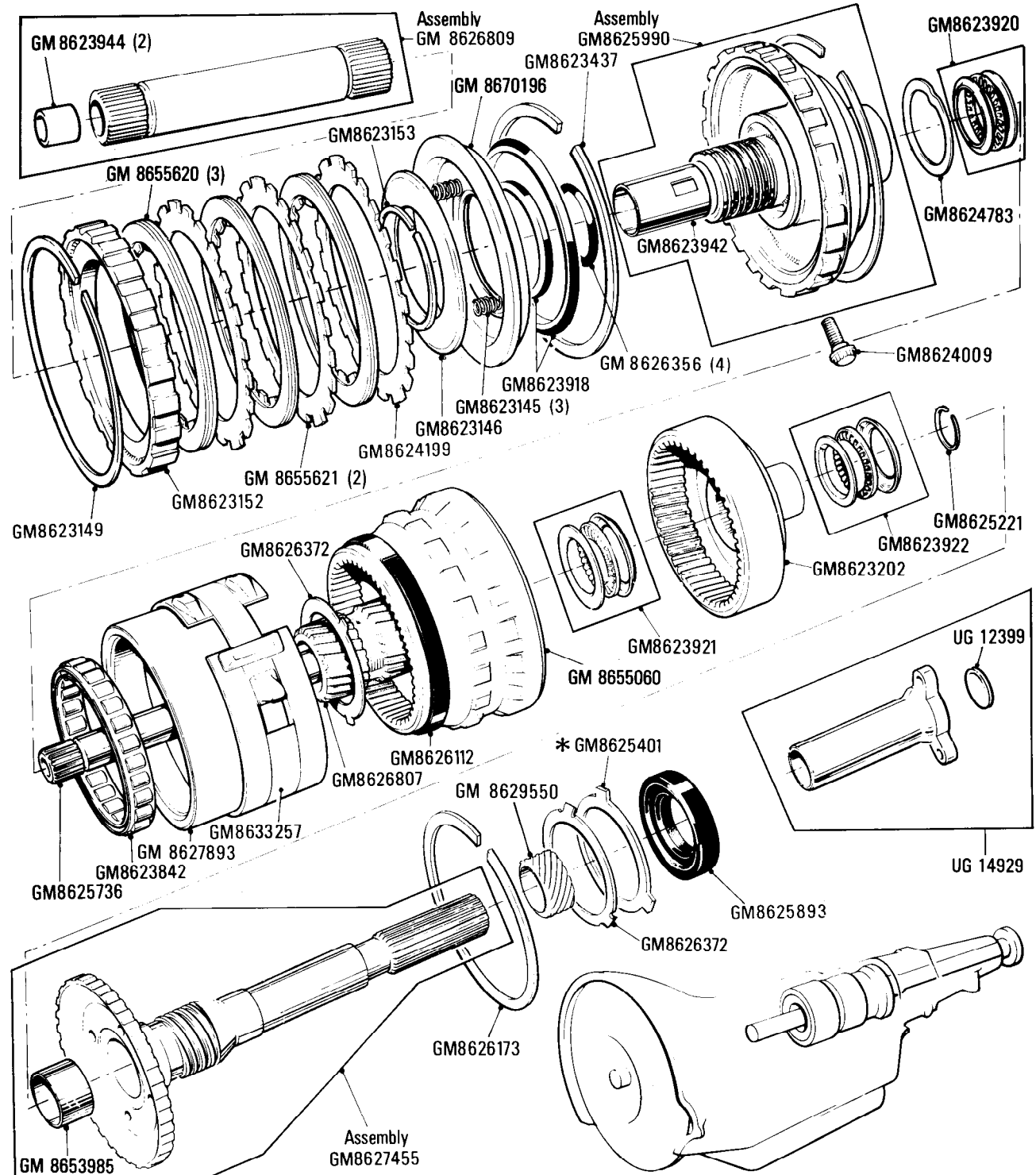
Use selectively for .007 in to .019 in. end play

* GM 8623979 Kit - Snap rings (also applies to parts on page T7/001/00)
 GM 8625913 Kit - Pinion replacement

© Rolls-Royce Motors Limited 1987

T8·003·01Rolls-Royce
Silver Spirit
Silver SpurBentley
Mulsanne 'S'
Eight**Transmission****Output Carrier, Reaction Carrier, Centre Support & Intermediate Clutch****Car serial number****Silver Spirit**
SCAZS00A0JCH21990 to 27798**Silver Spur**
SCAZN02A7JCX22054 to 27780**Bentley Mulsanne**
SCBZS00A7JCH22047 to 27796**Bentley Eight**
SCBZE00A2JCX22008 to 27799**Parts marked thus * refer to Additional Information below**

◀ Left-hand ▶ Right-hand

**Additional Information**

© Rolls-Royce Motor Cars Limited 1987

- * GM 8625401
 - GM 8625402
 - GM 8625403
 - GM 8625404
 - GM 8625405
 - GM 8625406
- Use selectively for
.007 in to .019 in end play

- * GM 8623979 Kit - Snap rings
- GM 8625913 Kit - Pinion replacement

T8-020-02

Rolls-Royce

Bentley
Mulsanne Turbo
Turbo R

Car serial number

Bentley Mulsanne Turbo
SCBZS0T0OCCH04233 to 14162

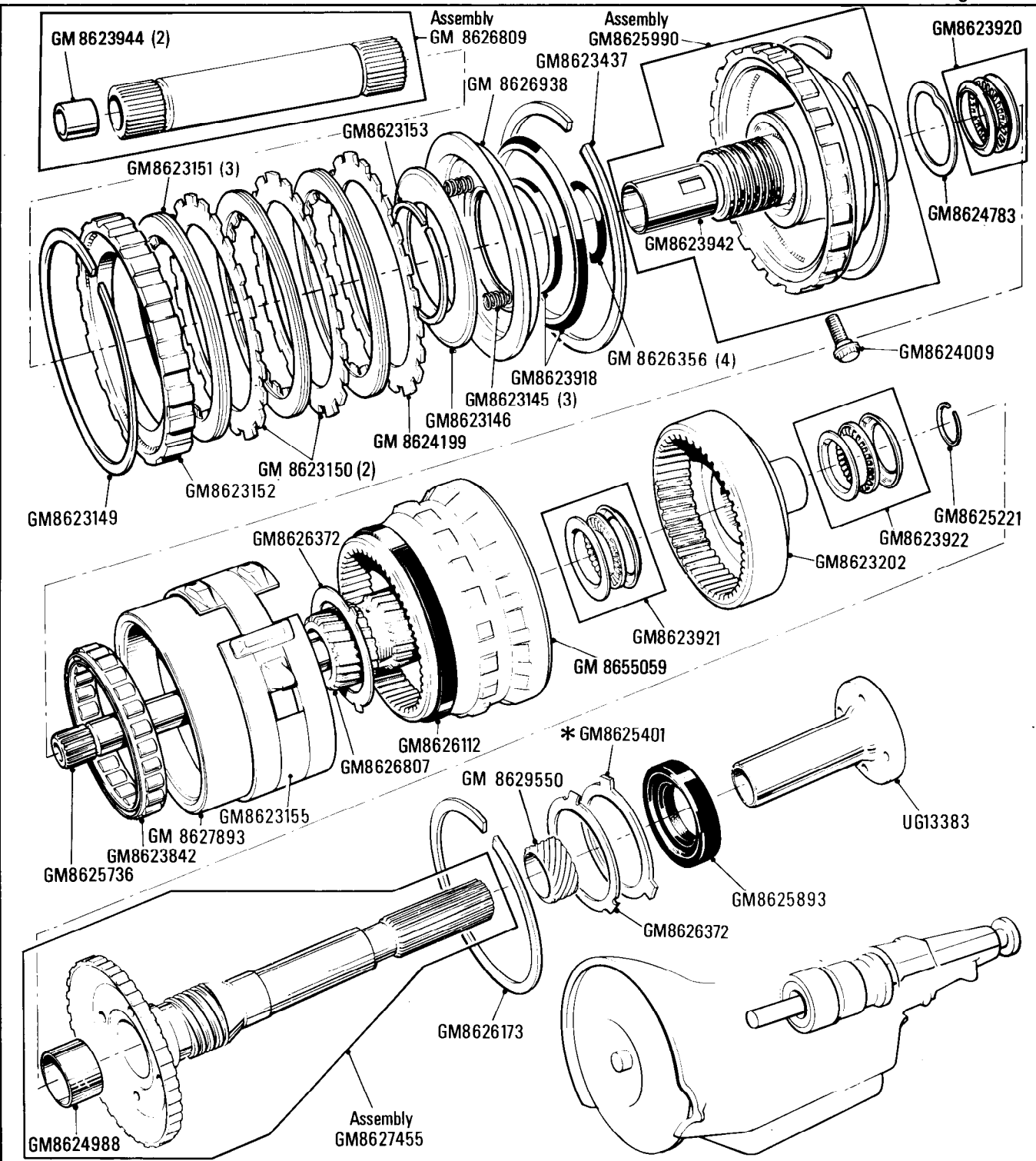
Bentley Turbo R
SCBZS0TOXFCH12834 to 16570

Transmission

Output Carrier, Reaction Carrier, Centre Support & Intermediate Clutch

Parts marked thus * refer to Additional Information below

◀ Left-hand ▶ Right-hand



Additional Information

© Rolls-Royce Motors Limited 1984

* GM 8625401
GM 8625402
GM 8625403 — Use selectively for
GM 8625404 .007 in to .019 in end play
GM 8625405
GM 8625406

* GM 8623979 Kit - Snap Rings
GM 8625913 Kit - Pinion Replacement

T8·021·02

Rolls-Royce

Bentley
Turbo R**Transmission**

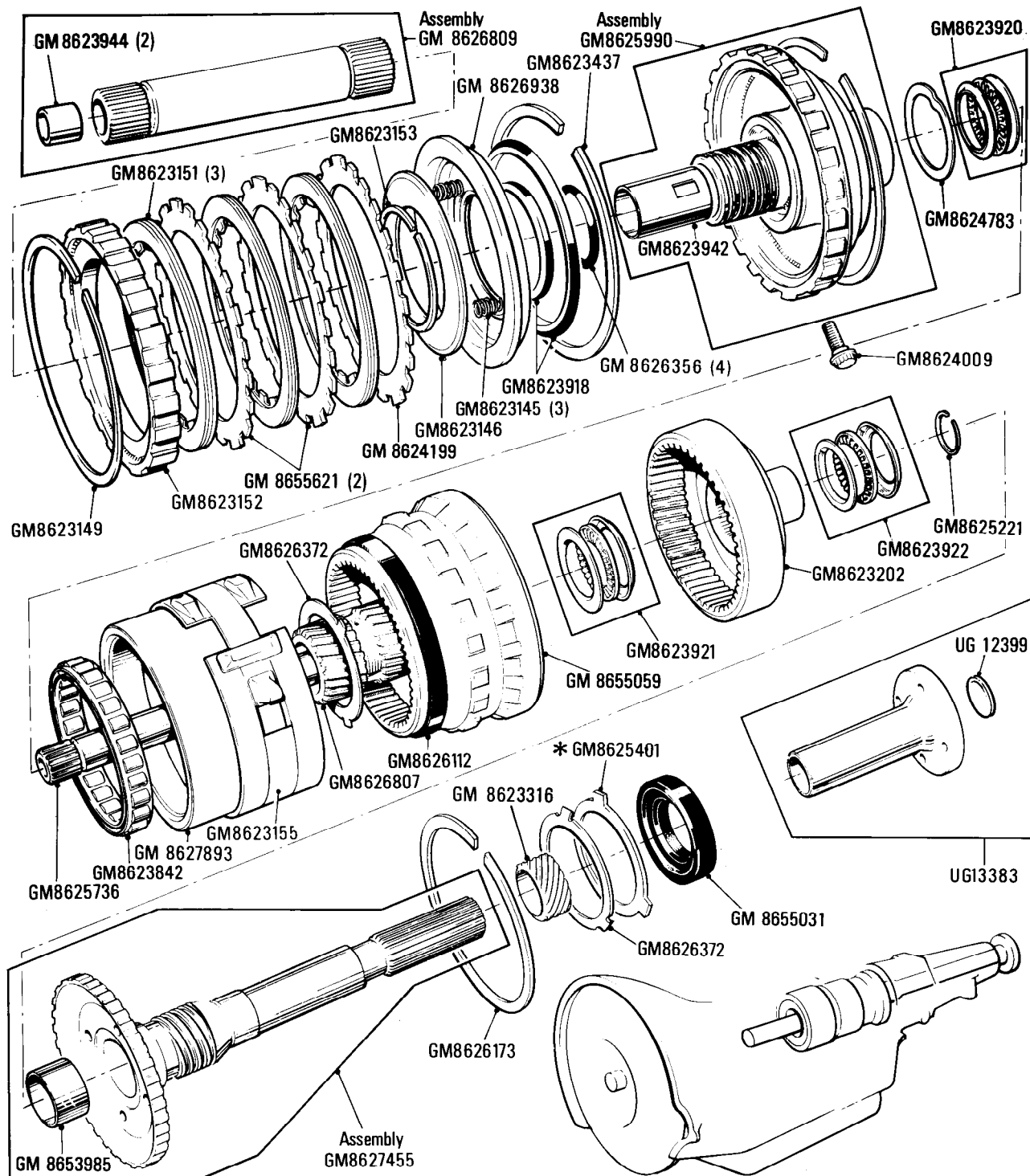
Output Carrier, Reaction Carrier, Centre Support & Intermediate Clutch

Car serial number

SCBZSOT03HCX20001 to 22007

Parts marked thus * refer to Additional Information below

◀Left-hand ▶Right-hand

**Additional Information**

© Rolls-Royce Motors Limited 1987

* GM 8625401
 GM 8625402
 GM 8625403
 GM 8625404
 GM 8625405
 GM 8625406

Use selectively for .007 in. to
 .019 in. end play

* GM 8623979 Kit - Snap rings (also applies to parts on page T7/001/00)
 GM 8625913 Kit - Pinion replacement

T8·022·01

Rolls-Royce

Bentley
Turbo R

Transmission

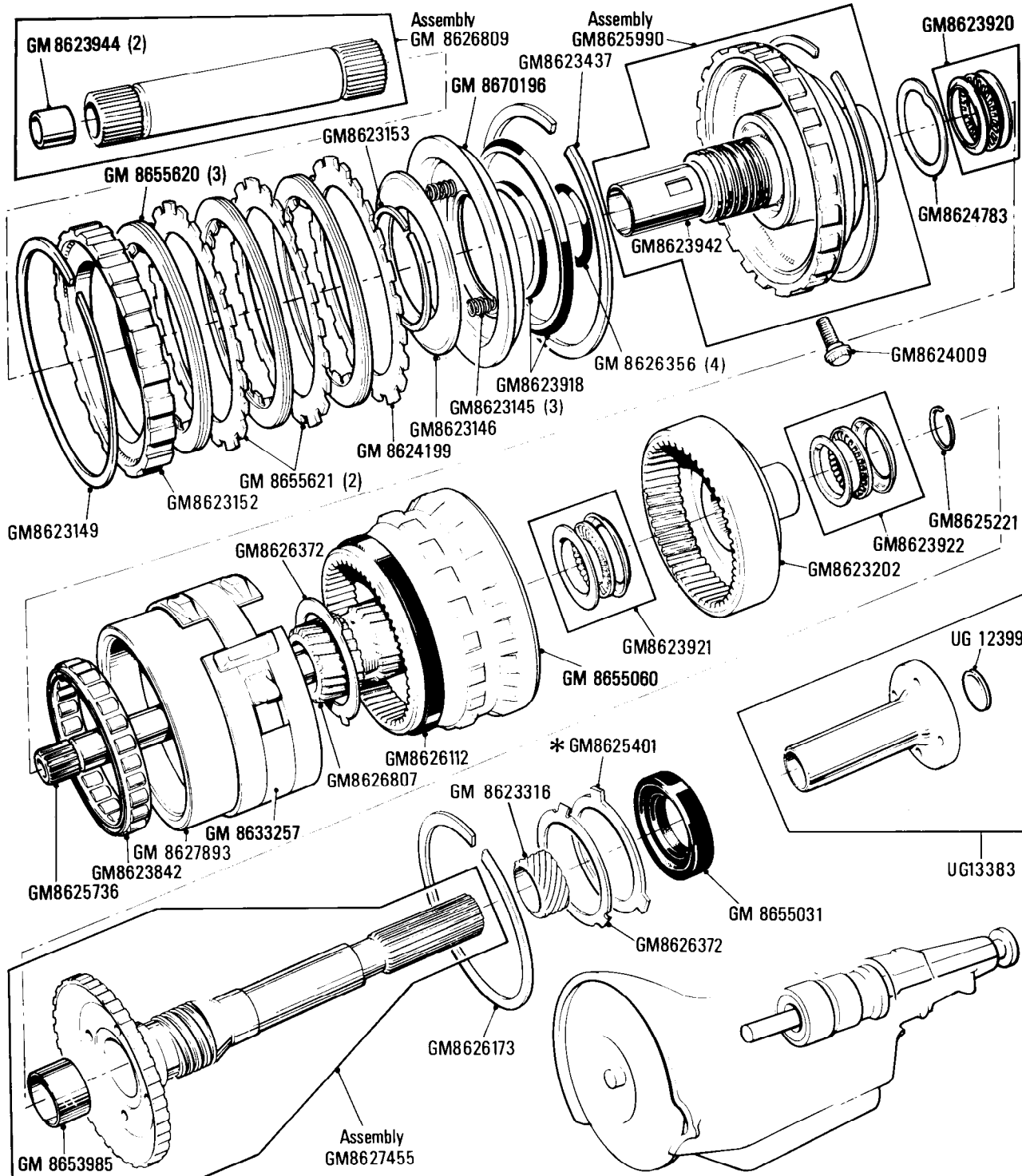
Output Carrier, Reaction Carrier, Centre Support & Intermediate Clutch

Car serial number

SCBZS0TA3JCH22011 to 27793

Parts marked thus * refer to Additional Information below

◀ Left-hand ▶ Right-hand



Additional Information

© Rolls-Royce Motor Cars Limited 1987

- * GM 8625401
 - GM 8625402
 - GM 8625403
 - GM 8625404
 - GM 8625405
 - GM 8625406
- Use selectively for
.007 in to .019 in end play

- * GM 8623979 Kit - Snap rings
- GM 8625913 Kit - Pinion replacement